

PLEASE CHECK WWW.MOLEX.COM FOR LATEST PART INFORMATION

Part Number: [1051312000](#)
Status: **Active**
Overview: [esatausb_combo_receptacles](#)
Description: Combo External Serial ATA and USB Receptacles, Right Angle, Through Holewith Through hole type Front Solder Tabs, Reverse Mount on Recessed PCB,Lead free

Documents:

[Drawing \(PDF\)](#) [RoHS Certificate of Compliance \(PDF\)](#)

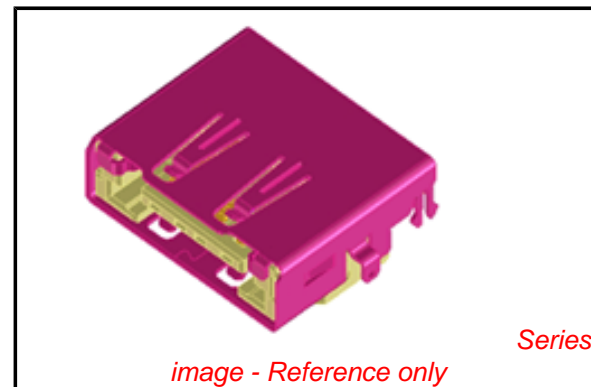
General

Product Family	I/O Connectors
Series	105131
Application	Wire-to-Board
Comments	Through hole type front solder tabs . Reverse mounted on recessed PCB . Durability: 1,500 cycles for USB; 2,500 cycles for eSATA
Component Type	Receptacle
Overview	esatausb_combo_receptacles
Product Name	eSATA/USB Combo, External Serial ATA, USB
Type	N/A

Physical

Circuits (Loaded)	4, 7
Circuits Detail	eSATA: 7 circuits; USB: 4 circuits
Color - Resin	Black
Durability (mating cycles max)	1,500
Gender	Male
Keying to Mating Part	Yes
Lock to Mating Part	Yes
Material - Metal	Copper Alloy
Material - Plating Mating	Gold
Material - Plating Termination	Tin
Material - Resin	High Temperature Thermoplastic
Number of Rows	2
Orientation	Right Angle
PCB Locator	No
PCB Retention	Yes
PCB Thickness Recommended (in)	0.047 In
PCB Thickness Recommended (mm)	1.20 mm
Packaging Type	Embossed Tape on Reel
Panel Mount	Yes
Pitch - Mating Interface (in)	0.050 In, 0.079 In, 0.098 In
Pitch - Mating Interface (mm)	1.27 mm, 2.00 mm, 2.50 mm
Pitch - Term. Interface (in)	0.050 In, 0.079 In, 0.098 In
Pitch - Term. Interface (mm)	1.27 mm, 2.00 mm, 2.50 mm
Plating min: Mating (µin)	2
Plating min: Mating (µm)	0.05
Plating min: Termination (µin)	80
Plating min: Termination (µm)	2
Polarized to Mating Part	Yes
Polarized to PCB	Yes
Ports	1
Temperature Range - Operating	-35°C to +85°C
Termination Interface: Style	Through Hole

Electrical



EU RoHS

ELV and RoHS Compliant
REACH SVHC Not Reviewed
Halogen-Free Status Not Reviewed

China RoHS



Need more information on product environmental compliance?

Email productcompliance@molex.com
 For a multiple part number RoHS Certificate of Compliance, [click here](#)

Please visit the [Contact Us](#) section for any non-product compliance questions.

Search Parts in this Series

[105131Series](#)

Mates With

External Serial ATA Cable Assembly or USB Type A Cable Assembly

Current - Maximum per Contact	1.5A
Grounding to Panel	Yes
Shield Type	Full Shield
Shielded	Yes
Voltage - Maximum	15V DC

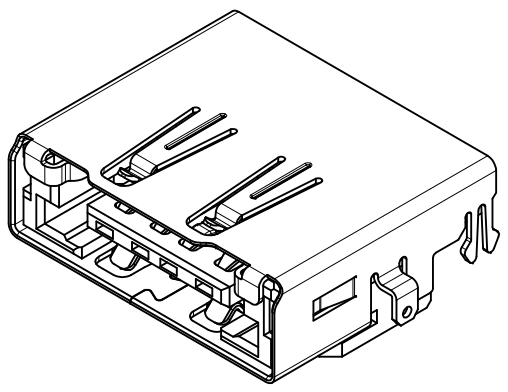
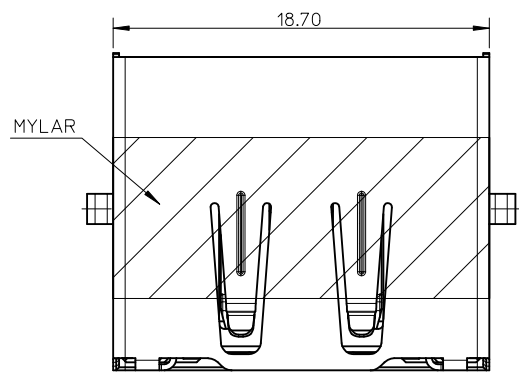
Material Info

Reference - Drawing Numbers

Sales Drawing	SD-105131-200
---------------	---------------

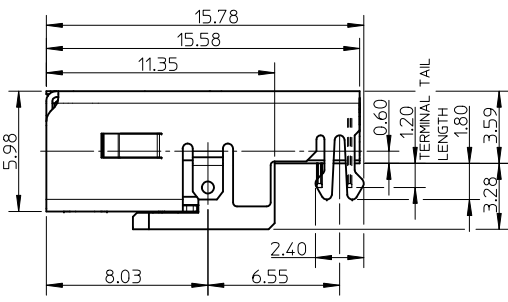
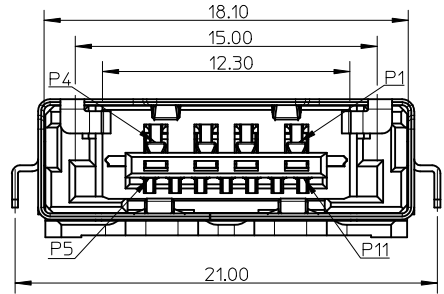
This document was generated on 05/31/2010

PLEASE CHECK WWW.MOLEX.COM FOR LATEST PART INFORMATION



- NOTES:
1. MATERIAL:
HOUSING: HIGH TEMPERATURE THERMOPLASTIC, 30% GLASS FILLED, BLACK, UL94V-0.
TERMINAL-1: COPPER ALLOY.
TERMINAL-2: COPPER ALLOY.
METAL SHELL: METAL.
 2. TERMINAL PLATING:
CONTACT AREA: GOLD PLATING.
SOLDER AREA: TIN PLATING, 2.0 MICROMETERS MINIMUM.
UNDER PLATING: NICKEL PLATING, 2.0 MICROMETERS MINIMUM.
 3. METAL SHELL PLATING: SOLDERABLE NICKEL PLATING.
 4. PRODUCT SPECIFICATION: PS-47403-001.
 5. PACKAGE SPECIFICATION: PK-105131-001.
 6. PRODUCT COMPLIANT TO RoHS DIRECTIVE 2002/95/EC AND ELV DIRECTIVE 2000/53/EC.

D

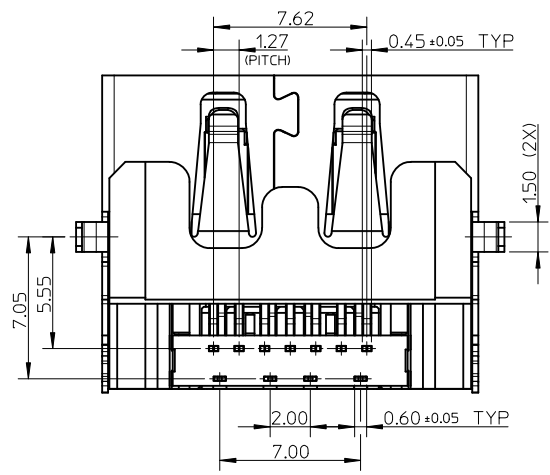


PIN ASSIGNMENT

USB		I/O SATA	
NAME	TYPE	NAME	TYPE
P1	VBUS	P5	GND
P2	D-	P6	A+
P3	D+	P7	A-
P4	GND	P8	GND
		P9	B-
		P10	B+
		P11	GND

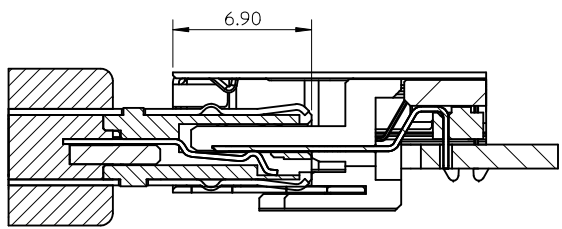
105131-2002	0.76 MICROMETRE MIN. GOLD
105131-2001	0.38 MICROMETRE MIN. GOLD
105131-2000	GOLD FLASH
P/N	CONTACT AREA PLATING

B

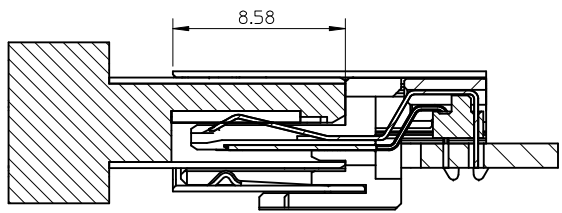


A

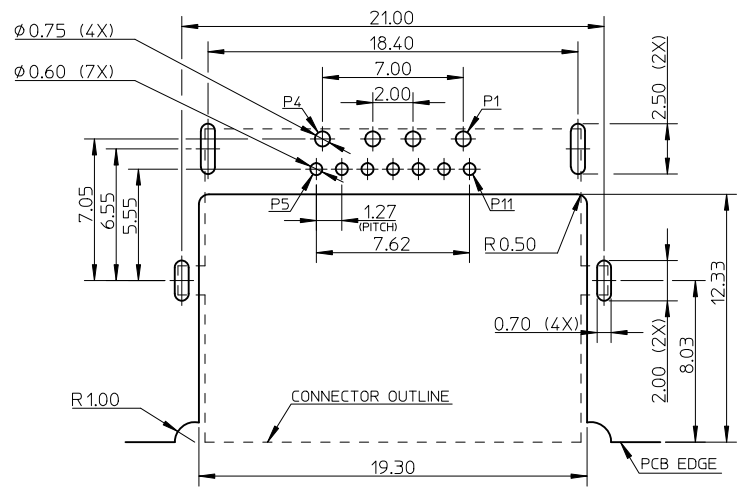
<p>NEW RELEASE EC NO: SH2010-0386 DRWN: XQZHANG 2010/04/06 CHKD: GLLI 2010/04/06 APPR: XJSONG 2010/04/21</p>	<p>QUALITY SYMBOLS ▽F=0 ▽E=0 ▽D=0</p>	<p>GENERAL TOLERANCES (UNLESS SPECIFIED)</p>		<p>DIMENSION STYLE MM ONLY</p>	<p>SCALE 1:1</p>	<p>DESIGN UNITS METRIC</p>	<p>THIRD ANGLE PROJECTION</p>	
		<p>4 PLACES ± --- ± ---</p>	<p>3 PLACES ± --- ± ---</p>	<p>DRAWN BY XQZHANG</p>	<p>DATE 2009/12/21</p>	<p>TITLE SALES DRAWING FOR USB & E-SATA COMBO BOTTOM MOUNT</p>		
		<p>2 PLACES ± 0.25 ± ---</p>	<p>1 PLACE ± 0.25 ± ---</p>	<p>CHECKED BY XJSONG</p>	<p>DATE 2009/12/21</p>	<p>MOLEX INCORPORATED</p>		
		<p>ANGULAR ± 3 °</p>		<p>APPROVED BY XJSONG</p>	<p>DATE 2010/04/07</p>	<p>DOCUMENT NO. SD-105131-200</p>		
<p>DRAFT WHERE APPLICABLE MUST REMAIN WITHIN DIMENSIONS</p>		<p>SIZE A3</p>	<p>THIS DRAWING CONTAINS INFORMATION THAT IS PROPRIETARY TO MOLEX INCORPORATED AND SHOULD NOT BE USED WITHOUT WRITTEN PERMISSION</p>					
<p>REV</p>		<p>SHEET NO. 1 OF 2</p>						



MATING WITH ESATA



MATING WITH USB



RECOMMEND PCB LAYOUT T=1.20
PCB TOLERANCE: ±0.05

SEE SHEET 1 IEC NO: SH2010-0386 DRWN: XQZHANG 2010/04/06 CH'KD: GILLI 2010/04/06 APPR: XJ SONG 2010/04/21	QUALITY SYMBOLS $F_A=0$ $F_B=0$ $F_C=0$	GENERAL TOLERANCES (UNLESS SPECIFIED)		DIMENSION STYLE MM ONLY		SCALE 1:1	DESIGN UNITS METRIC	THIRD ANGLE PROJECTION	
			m.m	INCH	DRAWN BY XQZHANG	DATE 2009/12/21	TITLE SALES DRAWING FOR USB & E-SATA COMBO BOTTOM MOUNT		
		4 PLACES	± ---	± ---	CHECKED BY XJ SONG	DATE 2009/12/21			
		3 PLACES	± ---	± ---	APPROVED BY XJ SONG	DATE 2010/04/07	MOLEX INCORPORATED		
2 PLACES	± 0.25	± ---	MATERIAL NO.	DOCUMENT NO.					
1 PLACE	± 0.25	± ---	DRAFT WHERE APPLICABLE MUST REMAIN WITHIN DIMENSIONS		SEE SHEET 1		SD-105131-200	SHEET NO. 2 OF 2	
		ANGULAR ± 3 °		THIS DRAWING CONTAINS INFORMATION THAT IS PROPRIETARY TO MOLEX INCORPORATED AND SHOULD NOT BE USED WITHOUT WRITTEN PERMISSION					